

Prophylaxis after Exposure to *Coxiella burnetii*

Claire E. Moodie, Herbert A. Thompson, Martin I. Meltzer, and David L. Swerdlow

Coxiella burnetii is a category B bioterrorism agent. We numerically evaluated the risks and benefits from postexposure prophylaxis (PEP) after an intentional release of *C. burnetii* to the general population, pregnant women, and other high-risk populations. For each group, we constructed a decision tree to estimate illness and deaths averted by use of PEP/100,000 population. We calculated the threshold points at which the number of PEP-related adverse events was equal to the cases averted. PEP was defined as doxycycline (100 mg 2×/day for 5 days), except for pregnant women, where we assumed a PEP of trimethoprim-sulfamethoxazole (160 mg/800 mg 2×/day) for the duration of the pregnancy. PEP would begin 8–12 days postexposure. On the basis of upper-bound probability estimates of PEP-related adverse events for doxycycline, we concluded that the risk for Q fever illness outweighs the risk for antimicrobial drug-related adverse events when the probability of *C. burnetii* exposure is $\geq 7\%$ (pregnant women using trimethoprim-sulfamethoxazole = 16%).

Q fever is caused by the intracellular bacterium *Coxiella burnetii* and is endemic in nearly every country in the world. A zoonotic disease, it is usually transmitted to humans through aerosolization of the bacteria from animal products; person-to-person transmission is rare (1–4).

Roughly 50% of all *C. burnetii* human infections are asymptomatic (5–8). Acute illness is usually characterized by sudden onset febrile illness; chronic disease occurs in $\approx 1\%$ of all acute cases with endocarditis being the most common chronic condition (60%–70%) (1,8–12). Persons with preexisting cardiac valve defects are at significantly higher risk for chronic disease; chronic disease develops in

39% of patients treated for acute disease (in 75% without treatment) (13–15). Immunocompromised patients (e.g., HIV-positive and cancer patients) are also at increased risk for chronic illness.

A Q fever-associated chronic fatigue syndrome may exist as well. Although prevalence is controversial, studies have cited that 10%–30% of all patients with acute disease report persistent symptoms (e.g., fatigue, myalgia, night sweats) more than a year after acute infection occurred (10,16). Pregnant women are also at increased risk for severe acute *C. burnetii* infection because of the bacterium's predilection for the placenta. Premature birth (33%) and spontaneous abortion/neonatal deaths (39%) occur frequently in acutely ill pregnant women (17).

C. burnetii is classified as a category B bioterrorism agent by the Centers for Disease Control and Prevention and the National Center for Allergy and Infectious Diseases (18). Regardless of the likelihood that *C. burnetii* may be used as a bioterrorism agent due to its status as a category B agent, public health agencies are obligated to prepare for such a scenario. Current Q fever postexposure prophylaxis (PEP) guidelines for the general population are 100 mg of doxycycline (or 500 mg tetracycline 2×/day for 5 days), started 8–12 days postexposure (4). This recommendation is based on limited studies conducted at Fort Detrick, Maryland, USA in the 1950s, which indicated that administering antimicrobial drugs directly after exposure to *C. burnetii* extended the incubation period by 8–10 days but did not prevent infection from occurring (19). Waiting 8–12 days after exposure before starting treatment prevented illness (19). Unfortunately, these guidelines do not account for the probability of exposure and prophylaxis-related adverse events. Also, the US government has not published any PEP recommendations for pregnant women, although trimethoprim-sulfamethoxazole (TMP-SMX) has been suggested as a possibility (1,4).

Author affiliation: Centers for Disease Control and Prevention, Atlanta, Georgia, USA

DOI: 10.3201/eid1410.080576

To assist in the development of PEP recommendations, we present a risk-benefit analysis, estimating the number of cases of illness/death that could be averted with PEP after a large release of Q fever versus a treatment-only strategy where antimicrobial drugs are administered only upon symptom onset. We also determine the threshold probability of exposure at which the risk for antimicrobial-related adverse events outweighs the risk for Q fever illness.

Methods

Model

In 2006, we conducted a risk-benefit analysis for each of the following groups: the general population, high-risk populations (persons with valvular defects or heart problems and the immunocompromised), and pregnant women. Total medical outcomes averted for each group were calculated by using the following general equation:

$$\text{Total medical cases averted} = (\text{Total adverse health outcomes caused by Q fever without PEP}) - (\text{total adverse health outcomes caused by Q fever remaining after intervention}) - (\text{cases of PEP-related adverse events})$$

The online Technical Appendix (available from www.cdc.gov/EID/content/14/10/1558-Techapp.pdf) contains the equations defining each input (e.g., total adverse outcomes without PEP) of this equation.

To calculate adverse outcomes with and without PEP, we constructed a decision tree for each target group illustrating all possible outcomes after exposure to *C. burnetii*. The general population and high-risk populations share the same tree structure (Figures 1, 2); the tree for pregnant women incorporates the outcomes for the unborn child (Figure 3). Drug-related side effects are not included in Figures 1–3; however, the number of side effects was calculated per Equation 4 in the online Technical Appendix. Total medical cases averted were calculated at 4 arbitrary levels of *C. burnetii* exposure (100%, 50%, 25%, and 10%).

Cohort Size and Discounting

We assumed a cohort of 100,000 for each model. Also, given that each exposed patient would begin to fully experience any adverse health outcome from either Q fever or PEP within 1 year, we did not discount outcomes.

Assumptions

Several assumptions were made in conducting this risk-benefit analysis. For simplicity’s sake, 100% compliance was assumed for persons receiving PEP. Risk-benefit analyses are based on an aerosolized, point source, overt attack, for which response can begin almost immediately. Estimates of cases and cases averted are based on the assumption

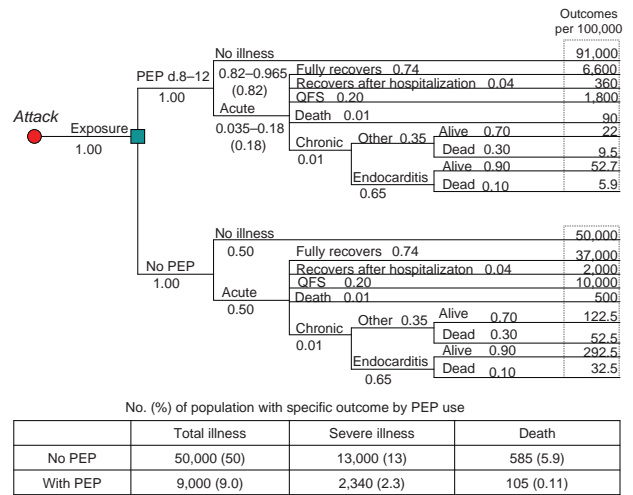


Figure 1. Decision tree for a general population of 100,000 based on an assumption of an aerosolized, point source, overt attack with *Coxiella burnetii* (postexposure prophylaxis [PEP] with 100 mg doxycycline 2x/d for 5 d, assuming 82% drug efficacy and 100% exposure). PEP-related adverse events are not included in this figure. The probability of each individual event occurring is provided in the decision tree under the respective event title (i.e., 1.00 for Exposure). Some events list a range of probabilities with the specific probability for this scenario in parentheses (i.e., 0.82–0.965 (0.82) for PEP No illness). The number of persons with each respective outcome is listed on the right side of the tree. A summary of outcomes (total illness, severe illness, and death) and the percentage of the population with such an outcome are provided in the table below the PEP and No PEP trees. We defined total illness as all acute illness, severe illness, and Q fever–related deaths. Severe illness was defined as hospitalization during acute infection, chronic illness, Q fever fatigue syndrome (QFS), or death. This description also applies to Figures 2 and 3.

tion that persons in whom acute or chronic illness develops receive appropriate treatment and care once a diagnosis of Q fever has been made. Those exposed received the same dose of *C. burnetii*. Although limited studies have shown an increase in dose can decrease the incubation period of the disease and/or increase the severity of illness, we were concerned with preventing illness all together (9,20).

Because Q fever has a low infectious dose (a single spore/bacterium may be enough to cause illness) (19), we assumed any dose would be sufficient to cause clinical infection. PEP does not affect the course or severity of illness in persons who become ill after having received prophylactic antimicrobial drugs (persons in the PEP and no-PEP groups have the same probability of outcome events occurring once acute illness developed); persons in the No Illness group are assumed to have no latent illness.

Interventions

Our analyses considered 2 different PEP options. For the general and high-risk populations, we assumed a PEP

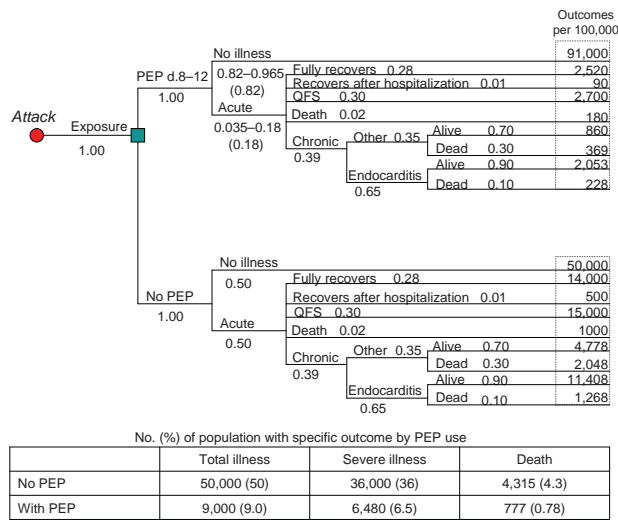


Figure 2. Decision tree for a high-risk population of 100,000 based on an assumption of an aerosolized, point source, overt attack with *Coxiella burnetii* (postexposure prophylaxis [PEP] with 100 mg doxycycline 2x/d for 5 d, assuming 82% drug efficacy and 100% exposure). PEP-related adverse events are not included in this figure. QFS, Q fever fatigue syndrome.

dosage of 100 mg of doxycycline 2x/day for 5 days, beginning 8–12 days postexposure. As doxycycline is generally not recommended for pregnant women, we assumed a PEP dosage of 160 mg/800 mg TMP-SMX 2x/day for the duration of the pregnancy, starting 8–12 days postexposure (21).

Q Fever–related Outcomes

To provide some sense of risk-by-severity of outcome, we categorized health outcomes into 3 cumulative categories: total illness, severe illness, and death. We defined total illness as all acute illness, severe illness, and Q fever–related deaths. Severe illness includes hospitalization during acute infection, chronic illness, Q fever fatigue syndrome (QFS), and death. For pregnant women, the outcome of the unborn child is included in illness estimates: low-birthweight newborns were included in the total illness estimates, and abortions/newborn deaths were included in all 3 outcome categories.

We provide, in Table 1, the values used in the analyses based on information we obtained from an extensive literature review. The probabilities associated with each possible event were multiplied and applied to a population of 100,000 to estimate the number of people who would experience a given outcome with and without PEP (Figures 1–3). Cases averted because of PEP use were calculated (Equation 4 in online Technical Appendix).

PEP-related Adverse Events

The medical literature was reviewed to determine the probabilities of adverse events associated with doxycycline

and trimethoprim-sulfamethoxazole. Adverse events were categorized as moderate, severe, or death resulting from prophylactic antimicrobial drug use. We assumed that a moderate PEP-related adverse event is equivalent to an acute case of Q fever, a severe PEP-related adverse event is equivalent to a severe acute case or chronic case of Q fever, and a death from PEP use is equal to a death from Q fever.

A best estimate and an upper bound estimate for the probabilities of adverse events were selected (Table 2). The best estimates for rates of adverse events from doxycycline are based on estimates cited in a study of anthrax prophylaxis–related adverse events (for both doxycycline and ciprofloxacin) (33). The upper bound estimates for doxycycline are arbitrarily defined as 3x the best estimate probabilities. In the case of the upper bound probability of death for doxycycline, because a death rate of 0.0% was stated in the literature (30,33), 0.01% was arbitrarily assigned on the basis of the best estimate for severe adverse events (0.01%).

The best estimate for moderate adverse events from TMP-SMX is based on a study that cited 3.9% (7/180) of patients discontinued antimicrobial drug treatment based on adverse events (34). Two other studies reported that 11% of patients prematurely discontinued TMP-SMX use based on adverse events (24,35). However, these studies likely over

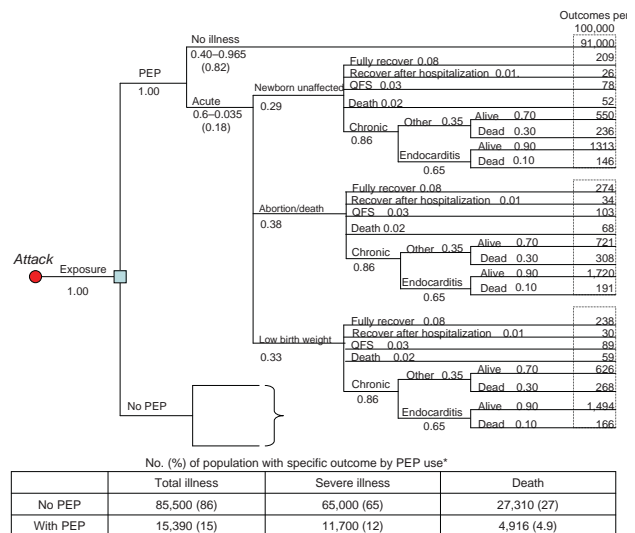


Figure 3. Decision tree for 100,000 pregnant women based on an assumption of an aerosolized, point source, overt attack with *Coxiella burnetii* (postexposure prophylaxis [PEP] with 160/800 mg trimethoprim-sulfamethoxazole 2x/d for duration of pregnancy, assuming 82% efficacy and 100% exposure.) PEP-related adverse events are not included in this figure. The “No PEP” segment of the tree contains the same branches and nodes as seen in the “With PEP” section, but uses different probabilities for certain variables. *The outcome of the unborn child is included in pregnant women illness estimates: low birth weight newborns were included in “Total Illness” estimates, and abortions/newborn deaths were included in all 3 outcome categories. QFS, Q fever fatigue syndrome.

Table 1. Input values used in the primary and secondary analyses of PEP efficacy*

Variable	Primary analysis (sensitivity analysis)	Sensitivity analyses		References
		Less virulent	More virulent	
Exposure	(0.10, 0.25, 0.50, 1.00)	NA	NA	NA
Efficacy of doxycycline PEP (8–12 d postexposure)	0.82 (0.82–0.965)	0.965	0.40	(22,23)
Efficacy of trimethoprim-sulfamethoxazole PEP (8–12 d postexposure)	0.82 (0.40–0.965)	0.965	0.40	(21,24,25)
Asymptomatic infection w/o PEP (all groups)	0.50	0.65	0.40	(1,3,5,7,8,26)
Full recovery after acute (gp)	0.74	Residual (0.934)	Residual (0.576)	(7–9)
Full recovery after acute illness (hr)	0.28	Residual (0.739)	Residual (0.076)	(7–9)
Full recovery after acute illness (pw)	0.08	Residual (0.57)	Residual (0.02)	(7–9)
Probability of hospitalization and recovery given acute illness (gp)	0.04	0.01	0.05	(5,7,27)
Probability of hospitalization and recovery given acute illness (hr)	0.01	0.01	0.05	(5,7)
Probability of hospitalization and recovery given acute illness (pw)	0.01	0.01	0.02	(5,7)
Q fever fatigue syndrome (gp)	0.20	0.05	0.30	(1,10,16,28–30)
Q fever fatigue syndrome (hr)	0.30	0.05	0.20	(1,10,16,28–30)
Q fever fatigue syndrome (pw)	0.03	Residual (0.03)	Residual (0.04)	(1,10,16,17,28–30)
Death from acute illness (gp)	0.01	0.001	0.024	(7,9–11)
Death from acute illness (hr and pw)	0.02	0.001	0.024	(7,9–11)
Chronic disease (gp)	0.01	0.005	0.05	(8,11,12,26,31)
Chronic disease (hr)	0.39	0.20	0.65	(13,14,31)
Chronic disease (pw)	0.86	0.39	0.90	(17)
Endocarditis (all groups)	0.65	0.60	0.90	(1,7,8)
Death from endocarditis (all groups)	0.10	0.05	0.60	(1,3,7,8,11,15,32)
Death from other chronic diseases (all groups)	0.30	0.05	0.60	(9)
Abortion or neonatal death	0.38	0.25	0.56	(8,14,17,21)
Premature birth/low birth weight baby	0.33	0.25	0.28	(8,14,17,21)
Healthy, unaffected baby	0.29	0.50	0.16	(8,14,17,21)

*PEP, postexposure prophylaxis; NA, not applicable; gp, general population; hr, high-risk; pw, pregnant women. See online Appendix Table 1 (available from www.cdc.gov/EID/content/14/10/1558-appT1.htm) for a detailed explanation of how the primary input values were selected.

estimate the probability of moderate AEs as some patients may discontinue use after experiencing only mild adverse events. Therefore, the lowest percent cited in the literature (3.9%) was used as the best estimate, and 11% was set as the upper bound estimate. We note that this best estimate may still be an overestimate.

A probability of 0.00037% was selected for the adverse deaths from TMP-SMX use, which is derived from a study that estimated 3.7 deaths/million treatments (36). We assumed that most deaths from TMP-SMX treatment are a result of toxic epidermal necrolysis (TEN) (37). A severe adverse event probability of 0.00123% is based on the estimate that 30% of TEN cases result in death (37).

As stated above, the TMP-SMX upper bound estimate for moderate adverse events was set at 11% (24,35). The TMP-SMX upper bound severe AE estimate, 0.0037%, was obtained by multiplying the TMP-SMX best estimate for severe AEs by 3. This was done to remain consistent with the arbitrary selection of an upper bound severe adverse event estimate for doxycycline, which used the same selection technique. Lastly, 0.0011% was used as the upper bound estimate for TMP-SMX-related deaths on the basis of the aforementioned assumption that 30% of severe ad-

verse events (i.e., TEN) result in death (37). Because of lack of relevant data, and to avoid underestimating drug-related side effects, we assumed the upper bound estimate of doxycycline-related deaths to be $\approx 10\times$ greater than that of TMP-SMX (Table 2).

Threshold Point

The threshold point is defined as the probability of exposure to *C. burnetii* where the number of PEP-related adverse events equals the cases averted because of PEP use. The risk for adverse events equals the benefit of PEP use.

Sensitivity Analyses

We conducted initial sensitivity analyses on the efficacy of doxycycline (96.5% and 82%) and TMP-SMX (96.5%, 82%, and 40%). These drug efficacies were chosen on the basis of a review of the literature (Table 1; online Appendix Table 1, available from www.cdc.gov/EID/content/14/10/1558-appT1.htm), but because of lack of evidence of TMP-SMX's efficacy as a prophylaxis for Q fever, we arbitrarily chose a low-range efficacy value (40%). Because of uncertainty in many of the input values for the

Table 2. Probability of adverse events associated with postexposure prophylactic antimicrobial agents

Level of adverse event	Doxycycline*		Trimethoprim-sulfamethoxazole†	
	Best estimate	Upper bound‡	Best estimate	Upper bound
Moderate	1.01%	3.03%	3.90%	11%
Severe	0.01%	0.03%	0.00123%	0.00370%‡
Death	0.00%	0.01%	0.00037%	0.00111%

*Recommended for the general population and high-risk populations based on estimated use of 100 mg orally 2x/d for 5 d.

†Recommended for pregnant women based on 160 mg/800 mg orally 2x/d for the duration of the pregnancy.

‡Arbitrary upper-bound, 3x best estimate (see text for further details).

primary analyses (Table 1), we conducted 2 additional scenarios labeled less virulent and more virulent. “Less virulent” and “more virulent” are the terms used to describe the lower and upper bound of the sensitivity analyses. The less virulent values are those that create a best-case scenario for health outcomes, while the more virulent analysis uses the worst-case scenario values.

As appropriate, we reduced (for less virulent) or increased (for more virulent) the input values used in the primary scenario (Table 1; online Appendix Table 1). In many instances, we did not have reliable measures to define less or more virulence and values were assumed as needed. As before, we ran each of the altered virulence scenarios assuming different levels of drug efficacy (doxycycline, 82% and 96.5%; TMP-SMX, 40%, 82%, and 96.5%).

Results

We estimate that without the use of postexposure prophylaxis, exposing a general population of 100,000 to *C. burnetii* would result in 50,000 cases of illness, 13,000 severe cases, and 585 deaths (Figure 1). Figures 2 and 3 provide results for the high-risk population and pregnant women, respectively. If we assume 82% drug efficacy for doxycycline, 9,000 cases of illness, 2,340 severe cases, and 105 deaths would occur within an exposed general population that took PEP. This translates to 41,000 cases of illness, 10,660 severe cases, and 480 deaths averted because of PEP use (82% reduction of cases). In addition, using doxycycline as PEP in a population of 100,000 (using the adverse event best estimates found in Table 2) would result in ≈1,010 moderate adverse events, 10 severe adverse events, and 0 deaths. Therefore, subtracting these adverse events from the total PEP-averted cases show that PEP use in this population would prevent 39,990 cases of total illness, 10,650 severe cases, and 480 deaths. Table 3 displays the total medical cases averted (accounting for PEP-related adverse events) for each group.

Figures 1–3 also include the percentage of each population that would develop illness/death with and without the use of PEP. Of particular importance is the probability of severe cases of illness without PEP use; 13% of the general population, 36% of the high-risk population, and 46% of pregnant women would experience severe illness. Of all cases of illness among the general population, the high-risk

population and pregnant women, 26%, 72%, and 92%, respectively, would be severe. Moreover, abortion or newborn death would occur in 19% of exposed pregnant women; 16.5% would give birth to a low-birthweight baby.

The threshold point is defined as the probability of exposure to *C. burnetii* where the risk for adverse events equals the benefit of PEP use. Figure 4 illustrates the general population threshold points (run at 2 different drug efficacy values) for total cases of illness averted for the primary, less, and more virulent scenarios. The x-intercept on these graphs is the probability of exposure to *C. burnetii* at which the total number of cases of illness averted because of PEP use is equal to the number of moderate PEP-related adverse events. Therefore, for any probability of exposure greater than the stated threshold value, PEP would prevent more cases of illness than the number of adverse events PEP would cause. As Figure 4 illustrates, the less virulent or more virulent scenarios affect the estimated number of cases but do not greatly affect the threshold probabilities of exposure. For further analyses, refer to online Appendix Tables 2 (available from www.cdc.gov/EID/content/14/10/1558-appT2.htm), 3 (available from www.cdc.gov/EID/content/14/10/1558-appT3.htm), and 4 (available from www.cdc.gov/EID/content/14/10/1558-appT4.htm) to review univariate sensitivity analyses on various variables used in the risk/benefit scenarios. These tables show which variables have the greatest independent influence on the respective outcomes

Table 3. Total medical cases averted because of postexposure prophylaxis*

Population	No. cases averted
General population	
All cases of illness	39,990
Severe illness	10,650
Deaths	480
High-risk population	
All cases of illness	39,990
Severe illness	29,510
Deaths	3,538
Pregnant women†	
All cases of illness	66,210
Severe illness	53,300
Deaths	22,394

*Accounting for best estimate drug-related adverse events, 82% drug efficacy, and 100% exposure.

†Includes the outcome of the unborn child.

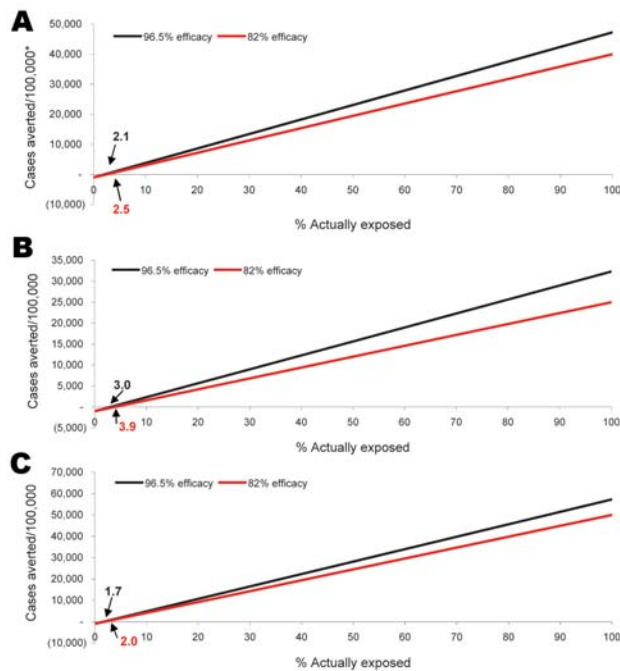


Figure 4. Cases of illness averted in the general population after *Coxiella burnetii* exposure with the use of postexposure prophylaxis while accounting for a 1.0% probability of adverse events, broken down by virulence scenario and drug efficacy. The “best estimate” scenario (primary analysis, A) uses best estimate input values, the “less virulent” scenario (B) uses input values that result in the least harmful outcome, the “more virulent” scenario (C) applies input values that result in the most harmful outcome or worst-case scenario. Drug efficacy refers to the efficacy of doxycycline as a post-exposure prophylaxis against *C. burnetii* infection. Analyses for doxycycline (used by the general and high-risk populations) were run at 2 potential drug efficacies: 96.5% and 82%. The threshold points, the probability of exposure where the risk of adverse events equals the risk of illness, are noted on the graphs.

and how modifications to the input values impacts the estimated number of cases averted.

Table 4 displays all threshold points by group, outcome, drug efficacy, and probability of an adverse event (best or upper bound estimate). Threshold points (when using primary analysis input values) range from 0.0% to 7.4% for the general population and high-risk groups; the threshold points for pregnant women range from 0.001% to 32.2%.

Discussion

Based on this study, we believe many cases of illness and deaths could be prevented with the use of PEP after a deliberate, overt release of *C. burnetii*. Without taking social or political concerns into account, a threshold point can be interpreted as the decision point for PEP use. Any value above the threshold point indicates that the benefits

of PEP use outweigh the risks for adverse events, therefore implying PEP should be recommended for any probability of exposure to *C. burnetii* above the stated threshold point. For the general and high-risk population, when doxycycline is used as a postexposure prophylactic antimicrobial drug, due to low rates of AE, the argument to administer PEP in most cases of potential exposure is strong. Even in the worst case scenario (upper bound adverse event estimate), the threshold point for total illness is relatively low at 7.4%.

Use of TMP-SMX for pregnant women also favors PEP use in most scenarios. Due to higher rates of moderate adverse events among TMP-SMX users, the threshold point for total illness is not as low as seen for doxycycline users (the general population and high-risk populations), but TMP-SMX threshold points still exhibit the importance of providing prophylaxis. Although the upper bound AE estimate in conjunction with the lower bound estimate of drug efficacy (40%) indicates 32.2% is the threshold point for total illness, this is the worst case scenario. Both the upper bound estimate for adverse events and the upper bound drug efficacy are considered to be overestimations to the preferred best estimate. The efficacy of TMP-SMX as a form of PEP is likely closer to 82% on the basis of its efficacy as a prophylaxis for several infections such as toxoplasmosis and *Pneumocystis carinii* pneumonia (25). Moreover, because Q fever is primarily an incapacitating agent, severe illness is likely a good proxy for the disease’s effects on a population. Therefore, the severe case threshold point (assuming 82% drug efficacy) is low, lying between 0.002% and 0.007% for pregnant women, which provides strong support for PEP use in most cases where exposure is suspected.

On the basis of these analyses, we determined there are 2 variables that most strongly influence the model. First, the efficacy of the drug as prophylaxis for Q fever is 1 of the most important variables in this model. Understandably, if the antimicrobial agent is effective, considerable illness and death will be prevented. Unfortunately, there are limited data on the efficacy of these drugs at preventing Q fever illness. Sensitivity analysis was conducted on this variable to account for this uncertainty; however, based on treatment experiences with these drugs (doxycycline’s efficacy ranges from 82% to 99% for *Chlamydia trachomatis* cervicitis) (22,23), we think the best estimates used in this study (82%) are conservatively close to the actual drug efficacies. A second important variable in the model is the probability of PEP-related adverse events. Once again, attempts were made to account for limited data by providing best and upper bound estimates for adverse events.

Although this risk-benefit analysis may be very useful when developing policy and official PEP recommendations, there are limitations to this design, such as some

RESEARCH

Table 4. Summary of threshold points by group, drug efficacy, and probability of an adverse event (best estimate/upper bound estimate)

Population			Drug efficacy		
			82%		
			Primary analysis	Less virulent	More virulent
	96.50%	40%*			
General population					
All cases of illness	2.1/6.3	NA	2.5/7.4	3.88/11.65	1.98/5.94
Severe illness	0.08/0.24	NA	0.09/0.28	0.58/1.75	0.05/0.14
Death	0.00/1.8	NA	0.00/2.1	0.00/28.49	0.00/0.36
High-risk population					
All cases of illness	2.1/6.3	NA	2.5/7.4	3.88/11.65	1.98/5.94
Severe illness	0.03/0.09	NA	0.03/0.10	0.147/0.44	0.021/0.06
Death	0.00/0.24	NA	0.00/0.28	0.00/3.5	0.00/0.05
Pregnant women					
All cases of illness	4.7/13.3	11.4/32.2	5.6/15.7	9.99/28.2	4.16/11.7
Severe illness	0.002/0.006	0.005/0.014	0.002/0.007	0.0069/0.021	0.0016/0.0047
Death	0.001/0.004	0.003/0.010	0.002/0.005	0.0053/0.0156	0.0006/0.0019

*Doxycycline was not evaluated at 40% drug efficacy. NA, not available.

of the data on which this analysis is based. Particularly, the recommendation that PEP should be administered 8–12 days postexposure is based on a single study conducted on only 5 persons and 1 type of antimicrobial drug (oxytetracycline). We acknowledge that these are limited data, but administration 8–12 days postexposure still remains the official recommendation of the US Army Medical Research Institute of Infectious Diseases. As a result, we remain consistent with current recommendations, but we are open to alternative options if more evidence becomes available. Conducting further animal studies would help to clarify the optimal time and duration of drug administration and the ideal antimicrobial drug. Newer drugs are now available and these may be more effective at preventing illness.

Another limiting variable was the death rate from acute Q fever infection among non-PEP users. Our study assumed that all persons in whom acute or chronic illness develops are assumed to receive appropriate treatment and care for the duration of illness once a diagnosis of Q fever has been made. Although no estimates are available in the literature for the death rate among treated persons (only untreated), we chose to use the death rate for untreated persons (1%). However, because of the uncertainty of this value, sensitivity analyses were conducted to assess variable effect on the number of severe cases of illness averted. Online Appendix Table 4 shows how the change in input values for both the PEP and no PEP groups does not greatly impact the total number of severe cases of illness averted within the general population.

Also, as mentioned before, this risk-benefit analysis is based on several assumptions, such as an overt attack, 100% exposure, and 100% compliance of the entire study population. These assumptions simplify the situation and create a more quantifiable, but more unnatural, scenario. Although an overt attack is less likely to occur, future models can adjust this assumption to account for a delay

in diagnosis or outbreak detection. Prophylactic efficacy and ultimately the number of illnesses/deaths could vary depending on such factors as compliance and the number of organisms to which the person was exposed. Another limitation to acknowledge is that *C. burnetii* is very resilient in the environment and exposure a long time after the initial dispersal could be an issue. Our model has only accounted for a single-exposure event, but future models should address this point.

Several issues will also be important when considering PEP recommendations. First, when selecting a representative threshold value for each risk group, social and political concerns must be acknowledged and considered. If a threshold value is 2.5%, it may be more realistic for decision makers to instruct all persons with any probability of exposure to take PEP rather than use valuable time and resources to determine a person's numerical probability of exposure. In addition, before providing a specific numeric threshold value in the guidelines, knowing how to measure that probability of exposure is important. For example, if 7% is provided as a threshold, there must be a mechanism for differentiating between 6% and 8% or 5% and 15%. These threshold points and PEP recommendations must be useful and realistic. Some research has been conducted to evaluate how to determine likely concentrations of a bioterrorism agent and a person's level of exposure by using computer modeling and simulation (38). Further studies on the assessment of exposure would be beneficial; modeling Q fever exposure would be especially critical given *C. burnetii*'s low infectious dose and high environmental stability (9).

Also, this study does not directly address children <8 years of age. In general, this population is not at higher risk for illness/death from Q fever infection than the general population. However, risk-benefit analyses for children should be conducted to provide guidance on PEP recommendations for this age group. Lastly, this analysis was

conducted on the basis of the most frequently suggested prophylaxis regimens. However, other antimicrobial drugs should be evaluated with risk-benefit analytic methods.

Cost was not considered in this risk-benefit analysis. Further studies are warranted to expand and support various aspects of this analysis, including estimating the cost associated with the use of PEP after a deliberate release of *C. burnetii*.

This study illustrates the importance and benefit of postexposure prophylaxis in a mass-exposure scenario and also weighs the risk for prophylaxis-related adverse events. Early identification of persons at increased risk for Q fever illness (pregnant women and high-risk populations) would be crucial in providing proper PEP and, in turn, preventing illness/death in these groups. Based on the study assumptions of exposure and compliance, PEP may be warranted and is likely to be effective at averting cases of illness and deaths in all 3 population groups when the probability of exposure to *C. burnetii* is above the population-specific threshold point.

Acknowledgments

We thank Thomas Marrie, Didier Raoult, and Nikolay Tokarevich for guidance on the PEP regimens that were used in this study. We also thank Jennifer McQuiston for her forethought to propose and initiate this study and Dorothy Gunter for her support and insight throughout the study.

Ms Moodie is a Public Health Prevention Specialist with CDC. This study was conducted while working with the Ricketsial Zoonoses Branch of the National Center for Zoonotic, Vector-Borne, & Enteric Diseases at CDC. She is currently assigned to the Massachusetts Division of Tuberculosis Prevention and Control in Boston, Massachusetts.

References

- Health Protection Agency Center for Infections. Interim guidelines for action in the event of a deliberate release: Q fever. 2005. Version 1.4, revised 2007 Jun 18 [cited 2008 Aug 1]. Available from www.hpa.org.uk/webw/HPAweb/HPAwebStandard/HPAweb_C/1195733766607?p=1192454969657
- McQuiston JH, Childs JE. Q fever in humans and animals in the United States. *Vector Borne Zoonotic Dis.* 2002;2:179–91. DOI: 10.1089/15303660260613747
- Kagawa FT, Wehner JH, Mohindra V. Q fever as a biological weapon. *Semin Respir Infect.* 2003;18:183–95.
- United States Army Medical Research Institute for Infectious Diseases. Medical management of biological casualties handbook. 5th ed. Frederick (MD): The Institute; 2004.
- Dupuis G, Petite J, Peter O, Vouilloz M. An important outbreak of human Q fever in a Swiss Alpine valley. *Int J Epidemiol.* 1987;16:282–7. DOI: 10.1093/ije/16.2.282
- Franz DR, Jahrling PB, Friedlander AM, McClain DJ, Hoover DL, Bryne WR, et al. Clinical recognition and management of patients exposed to biological warfare agents. *JAMA.* 1997;278:399–411. DOI: 10.1001/jama.278.5.399
- Maurin M, Raoult D. Q fever. *Clin Microbiol Rev.* 1999;12:518–53.
- Raoult D, Tissot-Dupont H, Foucault C, Gouvernet J, Fournier PE, Bernit E, et al. Q fever 1985–1998. Clinical and epidemiologic features of 1,383 infections. *Medicine (Baltimore).* 2000;79:109–23. DOI: 10.1097/00005792-200003000-00005
- Bossi P, Tegnell A, Baka A, van Loock F, Werner A, Hendriks J, et al. Bichat guidelines for the clinical management of Q fever and bioterrorism-related Q fever. *Euro Surveill.* 2004;9:E19–20.
- Kermode M, Yong K, Hurley S, Marmion B. An economic evaluation of increased uptake in Q fever vaccination among meat and agricultural industry workers following implementation of the National Q Fever Management Program. *Aust N Z J Public Health.* 2003;27:390–8. DOI: 10.1111/j.1467-842X.2003.tb00415.x
- Fournier PE, Marrie TJ, Raoult D. Diagnosis of Q fever. *J Clin Microbiol.* 1998;36:1823–34.
- Cutler SJ, Paiba GA, Howells J, Morgan KL. Q fever—a forgotten disease? *Lancet Infect Dis.* 2002;2:717–8. DOI: 10.1016/S1473-3099(02)00448-6
- Fenollar F, Fournier PE, Carrieri MP, Habib G, Messina T, Raoult D. Risks factors and prevention of Q fever endocarditis. *Clin Infect Dis.* 2001;33:312–6. DOI: 10.1086/321889
- Maltezou HC, Raoult D. Q fever in children. *Lancet Infect Dis.* 2002;2:686–91. DOI: 10.1016/S1473-3099(02)00440-1
- Raoult D, Houpiakian P, Tissot DH, Riss JM, rdti-Djiane J, Brouqui P. Treatment of Q fever endocarditis: comparison of 2 regimens containing doxycycline and ofloxacin or hydroxychloroquine. *Arch Intern Med.* 1999;159:167–73. DOI: 10.1001/archinte.159.2.167
- Marmion BP, Storm PA, Ayres JG, Semendric L, Mathews L, Winslow W, et al. Long-term persistence of *Coxiella burnetii* after acute primary Q fever. *QJM.* 2005;98:7–20. DOI: 10.1093/qjmed/hci009
- Raoult D, Fenollar F, Stein A. Q fever during pregnancy: diagnosis, treatment, and follow-up. *Arch Intern Med.* 2002;162:701–4. DOI: 10.1001/archinte.162.6.701
- Centers for Disease Control and Prevention. Bioterrorism agents/diseases [cited 2006 Sep 9]. Available from <http://www.bt.cdc.gov/agent/agentlist-category.asp#b>
- Benenson AS, Tigertt WD. Studies on Q fever in man. *Trans Assoc Am Physicians.* 1956;69:98–104.
- Byrne WR. Chapter 26: Q fever. In: Zajchuk R, editor. *Textbook of military medicine: medical aspects of chemical and biological warfare.* Washington: US Department of the Army, Surgeon General and the Borden Institute; 1997. p. 523–37.
- Carcopino X, Raoult D, Bretelle F, Boublil L, Stein A. Managing Q fever during pregnancy: the benefits of long-term cotrimoxazole therapy. *Clin Infect Dis.* 2007;45:548–55. DOI: 10.1086/520661
- Haddix AC, Hillis SD, Kassler WJ. The cost effectiveness of azithromycin for *Chlamydia trachomatis* infections in women. *Sex Transm Dis.* 1995;22:274–80. DOI: 10.1097/00007435-199509000-00002
- Nuovo J, Menikow J, Paliescheskey M, King J, Mowers R. Cost-effectiveness analysis of five different antibiotic regimens for the treatment of uncomplicated *Chlamydia trachomatis* cervicitis. *J Am Board Fam Pract.* 1995;8:7–16.
- Gomolin IH, Siami PF, Reuning-Scherer J, Haverstock DC, Heyd A. Efficacy and safety of ciprofloxacin oral suspension versus trimethoprim-sulfamethoxazole oral suspension for treatment of older women with acute urinary tract infection. *J Am Geriatr Soc.* 2001;49:1606–13. DOI: 10.1111/j.1532-5415.2001.49268.x
- DiRienzo AG, van Der HC, Finkelstein DM, Frame P, Bozette SA, Tashima KT. Efficacy of trimethoprim-sulfamethoxazole for the prevention of bacterial infections in a randomized prophylaxis trial of patients with advanced HIV infection. *AIDS Res Hum Retroviruses.* 2002;18:89–94. DOI: 10.1089/08892220252779629
- Franz DR, Jahrling PB, McClain DJ, Hoover DL, Byrne WR, Pavlin JA, et al. Clinical recognition and management of patients exposed to biological warfare agents. *Clin Lab Med.* 2001;21:435–73.

27. Marrie TJ. *Coxiella burnetii* pneumonia. *Eur Respir J*. 2003;21:713–9. DOI: 10.1183/09031936.03.00095403
28. Ayres JG, Flint N, Smith EG, et al. Post-infection fatigue syndrome following Q fever. *QJM*. 1998;91:105–23. DOI: 10.1093/qjmed/91.2.105
29. Marmion BP, Shannon M, Maddocks I, Storm P, Penttila I. Protracted debility and fatigue after acute Q fever. *Lancet*. 1996;347:977–8. DOI: 10.1016/S0140-6736(96)91469-5
30. Smith DL, Ayres JG, Blair I, Burge PS, Carpenter MJ, Caul EO, et al. A large Q fever outbreak in the West Midlands: clinical aspects. *Respir Med*. 1993;87:509–16. DOI: 10.1016/0954-6111(93)90006-L
31. Raoult D, Levy PY, Dupont HT, Chicheportiche C, Tamalet C, Gastaut JA, et al. Q fever and HIV infection. *AIDS*. 1993;7:81–6. DOI: 10.1097/00002030-199301000-00012
32. Siegman-Igra Y, Kaufman O, Keysary A, Rzotkiewicz S, Shalit I. Q fever endocarditis in Israel and a worldwide review. *Scand J Infect Dis*. 1997;29:41–9.
33. Fowler RA, Sanders GD, Bravata DM, Nouri B, Gastwirth JM, Peterson D, et al. Cost-effectiveness of defending against bioterrorism: a comparison of vaccination and antibiotic prophylaxis against anthrax. *Ann Intern Med*. 2005;142:601–10.
34. Sabbaj J, Hoagland VL, Shih WJ. Multiclinic comparative study of norfloxacin and trimethoprim-sulfamethoxazole for treatment of urinary tract infections. *Antimicrob Agents Chemother*. 1985;27:297–301.
35. Talan DA, Stamm WE, Hooton TM, Moran DJ, Burke T, Travani A, et al. Comparison of ciprofloxacin (7 days) and trimethoprim-sulfamethoxazole (14 days) for acute uncomplicated pyelonephritis in women: a randomized trial. *JAMA*. 2000;283:1583–90. DOI: 10.1001/jama.283.12.1583
36. Kocak Z, Hatipoglu CA, Ertem G, Kinikli S, Tufan A, Irmak H, et al. Trimethoprim-sulfamethoxazole induced rash and fatal hematologic disorders. *J Infect*. 2006;52:e49–52. DOI: 10.1016/j.jinf.2005.05.008
37. See S, Mumford JM. Trimethoprim/sulfamethoxazole-induced toxic epidermal necrolysis. *Ann Pharmacother*. 2001;35:694–7. DOI: 10.1345/aph.10310
38. Fennelly KP, Davidow AL, Miller SL, Connell N, Ellner JJ. Airborne infection with *Bacillus anthracis*—from mills to mail. *Emerg Infect Dis*. 2004;10:996–1001.

Address for correspondence: Claire E. Moodie, 754 Centre St #11, Jamaica Plain, MA 02130, USA; email: claire_moodie@hotmail.com

The opinions expressed by authors contributing to this journal do not necessarily reflect the opinions of the Centers for Disease Control and Prevention or the institutions with which the authors are affiliated.

etymologia

Coxiella [kok'' se-el' ə] *burnetii*

Etiologic agent of Q fever, named after American bacteriologist Herald Rea Cox and Australian physician Frank MacFarlane Burnet, who both independently isolated the bacterium in the 1930s. *C. burnetii* belongs in the family *Coxiellaceae*, which consists of gram-negative rods without flagella or a capsule. The bacteria occur in ticks and various vertebrates, including humans.

Source: Dorland's illustrated medical dictionary, 31st edition. Philadelphia: Saunders; 2007; American Veterinary Medical Association. Q fever background. Available from http://www.avma.org/public_health/biosecurity/qfever_bgnd.asp

Now that you've read the article,
you can listen to the commentary.

Prophylaxis after Exposure
to *Coxiella burnetii*



www.cdc.gov/ncidod/EID/podcast/

Appendix Table 1. Explanation, rationale, and comments on the primary analysis input values used in the study*

Variable	Primary analysis (Sensitivity analysis)	Explanation, rationale and comments
Exposure	(0.10, 0.25, 0.50, 1.00)	A range representing the percent of people actually exposed to <i>Coxiella burnetii</i>
Efficacy of doxycycline as PEP (8–12 d postexposure)	0.82 (0.82–0.965)	No specific estimates are available for doxycycline's efficacy as PEP for Q fever. These numbers are based on studies of doxycycline as a treatment for <i>Chlamydia trachomatis</i> infections, which resemble <i>C. burnetii</i> in several ways (22,23)
Efficacy of trimethoprim-sulfamethoxazole as PEP (8–12 d postexposure)	0.82 (0.40–0.965)	No specific estimates are available for TMP-SMX efficacy as PEP for Q fever. For comparison's sake, we chose similar estimates to doxycycline, but added a lower-bound estimate of 40%. However, the efficacy is likely higher than that, based on TMP-SMX's efficacy with other bacterial infections. Among HIV-positive patients, the infection rate per 100 patient-years of follow-up was 31 for any bacterial infection (25). For an intent-to-treat population, TMP-SMX had an 87% efficacy. (24)
Asymptomatic infection w/o PEP (all groups)	0.50	Numerous sources state ≈50% (>50, <60%) of Q fever infections remain asymptomatic (1,3,5,7,8,25)
Full recovery after acute (gp)	0.74	Most acute cases result in a full recovery (7–9). Based on the probabilities of the other possible acute outcomes, 74% of the total acute cases result in full recovery of the patient (residual).
Full recovery after acute illness (hr)	0.28	Most acute cases result in a full recovery (7–9). Based on the probabilities of the other possible acute outcomes for high-risk populations, 28% of the total acute cases result in full recovery of the patient (residual).
Full recovery after acute illness (pw)	0.08	Based on the probabilities of the other possible acute outcomes for pregnant women, 8% of the total acute cases result in full recovery of the patient (residual).
Recovery from acute illness after hospitalization (gp)	0.04	5% of all acute, symptomatic Q fever cases require hospitalization (5,7). 2% of Q fever pneumonia cases require admission to the intensive care unit (5,7,27). As some of these hospitalizations would occur among chronic disease cases and patients who die, this 5% is applied to the population acute case-patients (78%) who will eventually fully recover from acute illness. Therefore, 4% of acute case-patients will be hospitalized at some point during their illness but will still have a full recovery.
Recovery from acute illness after hospitalization (hr)	0.01	5% of all acute, symptomatic Q fever cases require hospitalization (5,7). Therefore, when 5% is applied to the population of acute cases that eventually recovers (29%), it is estimated that 1% of all acute case-patients will fully recover after being hospitalized.
Recovery from acute illness after hospitalization (pw)	0.01	Because of the vulnerability of pregnant women to Q fever and the likelihood that these women would be closely observed if acutely ill, the percentage of recovering, acute case-patients requiring hospitalization is based on the high-risk population's percentage (1%).
Q fever fatigue syndrome (gp)	0.20	Studies cite 10%–30% of acute cases develop QFS, with the largest studies citing between 20%–30% (1,10,16,30,28,29) A low/mid-range value was used for the general population as a conservative estimate.
Q fever fatigue syndrome (hr)	0.30	QFS develops in 10%–30% of acute cases; 30% was selected as the value for high-risk populations because they would likely be more susceptible to QFS and other chronic conditions because of their immunocompromised state and/or the presence of a heart defect.
Q fever fatigue syndrome (pw)	0.03	No study cites the proportion of pregnant women in whom QFS develops. However, based on 86% of acute case-patients developing chronic illness (17); 12% will not advance to chronic illness. Given that QFS would develop in 20% of this population (see QFS above), QFS will develop in 3% of all acutely ill pregnant case-patients
Death from acute illness (gp)	0.01	Most studies cite a mortality rate of ≈1% from acute Q fever when left untreated (range 0.5%–2.4%) (9–11). A mortality rate of 1% was used in this analysis for the general population as this is the most consistently cited value and on the lower bound of the estimates. No studies specifically state the mortality rate when treatment is given; however, for treatment to be effective, it must be administered within 3 d of illness (7). Therefore, the mortality rate may not be extremely different between treated and untreated unless the antimicrobial drugs are given in the early stages of illness.
Death from acute illness (hr)	0.02	The upper bound of mortality estimates (see above) was used because this population is more vulnerable to severe disease and death.
Death from acute illness (pw)	0.02	The upper bound of mortality estimates (see above) was used because this population is more vulnerable to severe disease and therefore death.
Chronic disease (gp)	0.01	Sources indicated that chronic illness develops in <1%–5% of all patients with acute cases (8,11,12,26,31). A conservative estimate was used here.
Chronic disease (hr)	0.39	Even with treatment, chronic disease develops in 39% of persons with valvular defects and acute Q fever (if Q fever is untreated, chronic disease

Chronic disease (pw)	0.86	develops in 75%) (13,14). HIV-positive persons were 13× more likely than HIV-negative individuals to develop chronic illness (31). Raoult et al. report that 86% (12/14 cases) of pregnant women who were diagnosed with acute Q fever went on to develop chronic illness (17). This may be an overestimate, due to the small sample size and identification of the more severe acute cases of Q fever. However, it is the best available estimate.
Endocarditis (all groups)	0.65	60%–73% of all chronic Q fever infections are endocarditis (mode: 65%) (1,7,8).
Death from endocarditis (all groups)	0.10	Several sources agree that the death rate among treated Q fever endocarditis patients is ≈10% (1,3,7,8). This rate increases to 30%–60% if endocarditis is left untreated (11,15,32).
Death from other chronic diseases (all groups)	0.30	Bossi et al. state that the death rate for all chronic infections is between 30% and 60% (9) Although not stated directly in the article, it is assumed that this range is dependent on the type of chronic illness and whether treatment was administered appropriately. The conservative estimate (30%) was used in this analysis based on the assumption that chronic cases would be identified and treated properly.
Abortion or neonatal death	0.38	Little data is available on pregnant women, but Raoult describes 24 cases of women who contract Q fever during pregnancy and were identified during the acute stage of illness (resulting in 38% abortions, 33% premature births, 29% w/o abnormalities) (17). A previous Raoult study of 32 acute cases among pregnant women showed the following breakdown: 56% abortions/neonatal deaths, 28% premature births, 16% normal births (8). A Maltezou study states that 86% of pregnancies are complicated (14). Although these percentages are likely overestimations of negative, fetal outcomes (the most serious cases having been identified), they are the best estimates available at this time.
Premature birth/low birth weight baby	0.33	
Healthy, unaffected baby	0.29	

*PEP, postexposure prophylaxis; gp, general population; hr, high-risk; pw, pregnant women; TMP-SMX, trimethoprim-sulfamethoxazole; QFS, Q fever chronic fatigue syndrome.

Appendix Table 2. Univariate sensitivity analyses of the input values for the general population variables on severe cases of illness averted due to PEP, accounting for best estimate drug-related adverse events and 100% exposure*

Variable (only for general population)	(Primary value)	Severe cases of illness averted (lower bound analysis)	Severe cases of illness averted (upper bound analysis)
Efficacy of doxycycline PEP, 8–12 days postexposure	(0.82)	5,200 (0.40)	12,545 (0.965)
Asymptomatic infection w/o PEP	(0.50)	13,260 (0.40)	6,760 (0.65)
Probability of hospitalization and recovery given acute illness	(0.04)	9,430 (0.01)	11,070 (0.05)
Q fever fatigue syndrome	(0.20)	4,510 (0.05)	14,760 (0.30)
Death from acute illness	(0.01)	10,291 (0.001)	11,234 (0.024)
Chronic disease	(0.01)	10,455 (0.005)	12,300 (0.05)
Endocarditis	(0.65)	10,660 (0.60)	10,660 (0.90)
Severe cases of illness averted (primary analysis)	10,660		

*PEP, postexposure prophylaxis.

Appendix Table 3. Univariate sensitivity analysis of the chronic disease variable for pregnant women assessing the impact of this variable on the cases of severe illness averted due to postexposure prophylaxis

Variable (only for pregnant women)	(Primary value)	Severe cases of illness averted (lower bound analysis)	Severe cases of illness averted (upper bound analysis)
Chronic disease	53,300 (0.86)	34,030 (0.39)	54,940 (0.90)

Appendix Table 4. Univariate sensitivity analyses of the death from acute illness variable for the general population assessing the impact of this variable on the cases of severe illness averted by use of PEP*

Data	Analysis 1	Analysis 2	Analysis 3	Analysis 4	Analysis 5	Analysis 6	Analysis 7
Value of death from acute illness for PEP group	0.01	0.001	0.024	0.005	0.002	0.0005	0.01
Value of death from acute illness for no PEP group	0.01	0.001	0.024	0.01	0.01	0.001	0.005
Cases of severe illness averted w/PEP use	10,660	10,291	11,234	10,705	10,732	10,296	10,410

*PEP, postexposure prophylaxis.

Prophylaxis after Exposure to *Coxiella burnetii*

Technical Appendix

Equation 1: (in the main text), the inputs (on the right side of equation) are calculated as follows.

For each outcome (i.e., branch of tree—see Figures 1–3 in text):

Equation 2: Number of a given adverse health outcome without PEP = Number persons exposed \times probability of given outcome

Equation 3: Number of a given adverse health outcome after PEP = Number persons exposed \times probability of outcome \times effectiveness of PEP against given outcome

For each type of PEP-related adverse health outcome (see Table 2 in text).

Equation 4: Number of given PEP-related adverse events = number administered PEP \times probability of given adverse event